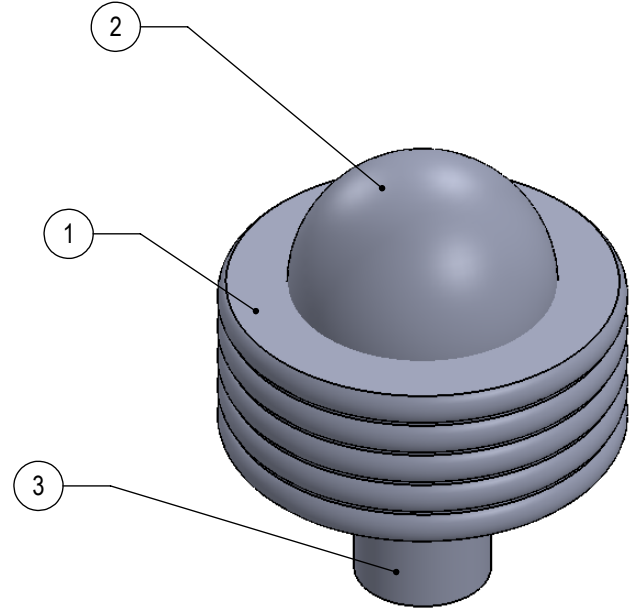
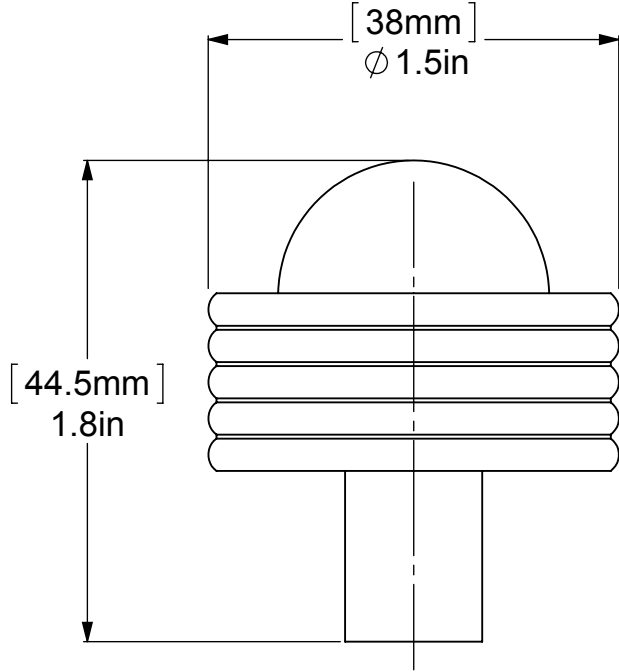
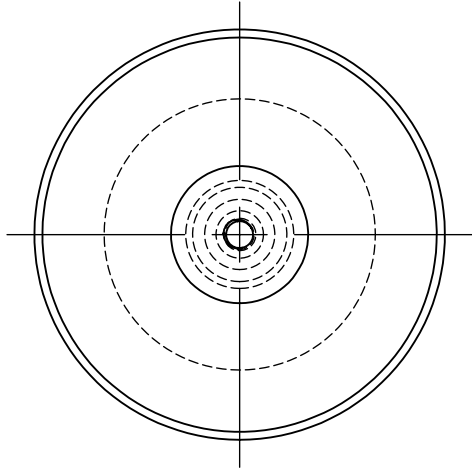


ITEM NO.	PART NUMBER	DESCRIPTION	QTY.
1	RGGV	HUB	1
2	CAHR-1	CAP	1
3	PSRD8-12	BASE TUBE	1



**APPROVED FOR PRODUCTION**  
 By: RICHARD PAUL  
 Date: 6-2-2021

UNLESS OTHERWISE STATED

.X	±.3mm
.XX	±.15mm
.XXX	±.008mm

COPYRIGHT © Allied Brass 2021



DRAWN	5-28-21	I.M
CHECKED	5-28-21	P.D
APPROVED	5-28-21	R.A

MATERIAL:	BRASS
DESCRIPTION:	1-1/2 Inch Cabinet Knob

FINISH	TBD
QUANTITY	TBD
DRAWING No.	REV
101AG	0
SCALE	1:0.7 SHEET: 01 A4